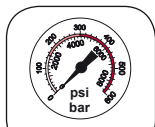
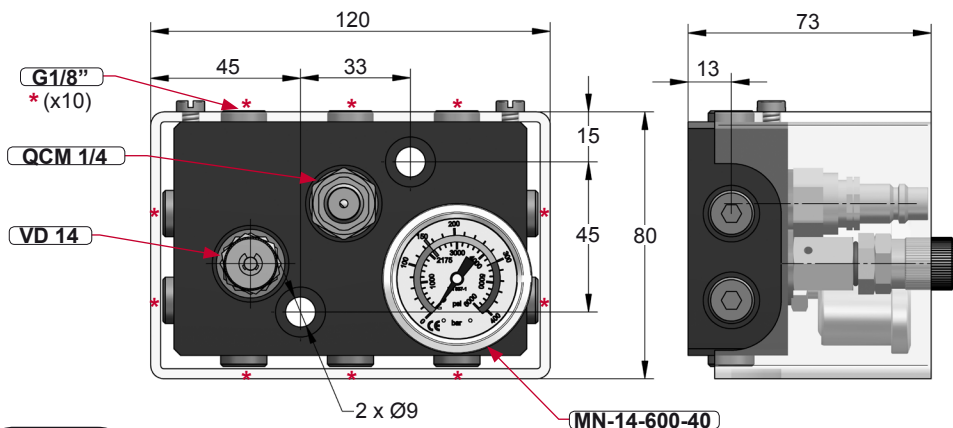


CONTROL PANELS

**AZOL
GAS**


Accessories

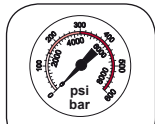
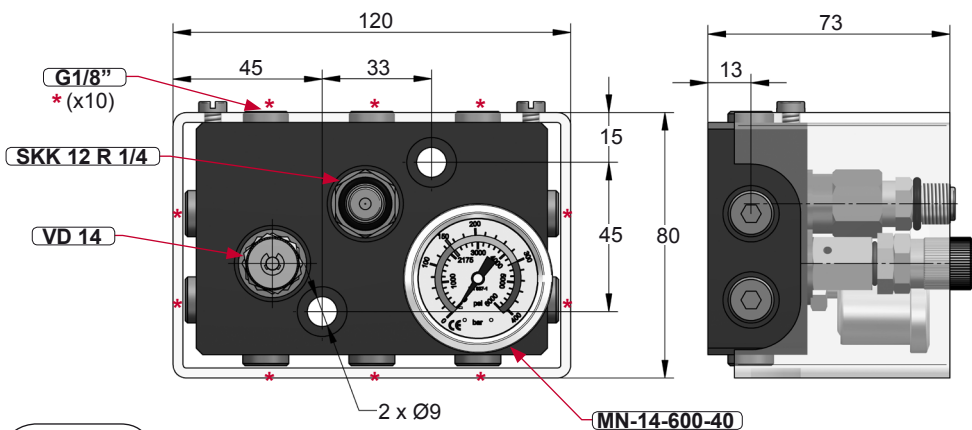
600-CPBE 01



MN-14-600-40

bar	psi
600	8000

600-CPBE 02



MN-14-600-40

bar	psi
600	8000